

SINGLE SPOTLIGHT ON GROUND SPIKE LDM70220

FIGURE 1

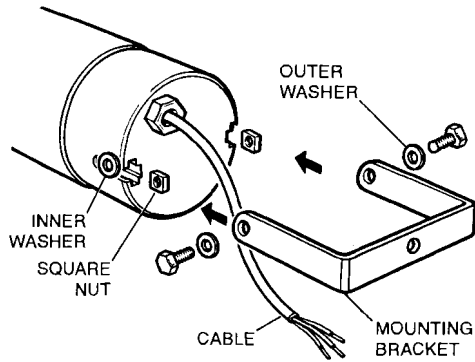


FIGURE 2

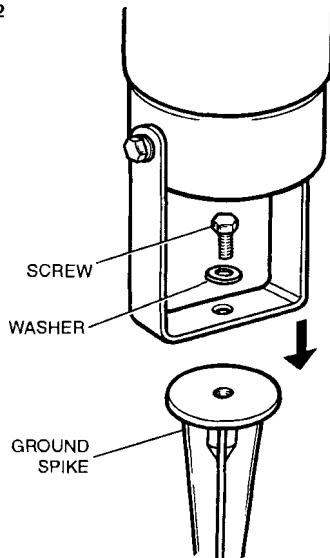
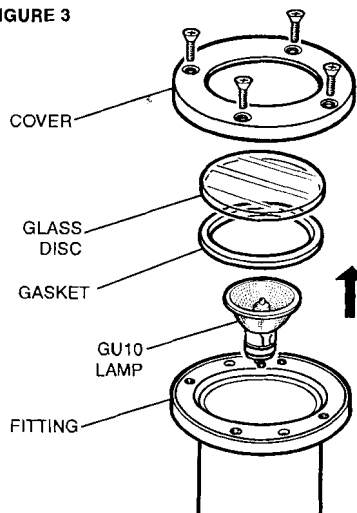


FIGURE 3



Please read these instructions carefully before attempting to install these fittings. It is advisable to keep these instructions in a safe place for future reference. If these fittings are installed by a contractor, the contractor should ensure that the customer has a copy of these instructions.

ENSURE ELECTRICITY IS SWITCHED OFF AT THE MAINS BEFORE INSTALLING OR MAINTAINING THESE FITTINGS. THESE FITTINGS MUST BE INSTALLED BY A QUALIFIED ELECTRICIAN IN ACCORDANCE WITH CURRENT I.E.E. WIRING REGULATIONS AND BUILDING REGULATIONS (PART P).

IMPORTANT: Do not wire this light into the lighting circuit - use a switched fused spur. The fitting must be earthed.

1. Refer to Figure 1. If necessary fit the mounting bracket to the body of the fitting as follows. Slide the square nuts into their housings in the base of the fitting.
2. Pass the clamp screw through one washer, then through the hole in the mounting bracket and then through a second (inner) washer before finally screwing it home in the square nut fitted earlier. Do not fully tighten the screws at this stage.
3. Repeat on the opposite side of the fitting.
4. Once you have chosen the position for the fitting, wire the cable from the fitting into an earthed mains supply via a waterproof cable connector. This should only be carried out by a qualified electrician.
5. Fit the ground spike to the mounting bracket using the screw and plain washer (Figure 2).
6. Push the ground spike into the ground.
7. Direct the light beam from the fitting as required, then fully tighten the two clamp screws at the side to hold the fitting in place.

Replacing the lamp

Replacement lamps (GU 10 mains voltage halogen) must be of the same type voltage and wattage as specified on the packaging. To replace the lamp proceed as follows:

1. Unscrew the four screws holding the cover in place (Figure 3).
2. Remove the cover and glass disc.
3. Release the lamp from its lampholder and withdraw it from the fitting.
4. Fit a new bulb of the correct type and rating.
5. Check that the gasket is in place in its recess inside the fitting, then refit the glass and cover. Fully tighten the screws and return the fitting to its outdoor location.

IMPORTANT: DO NOT USE THIS PRODUCT WITHOUT THE GLASS BEING IN POSITION. THE GLASS MUST BE REPLACED IF IT BECOMES DAMAGED IN ANYWAY.